

# AMPEREX TUBE TYPE 12AT7/ECC81

The 12AT7/ECC81<sup>1</sup> is a miniature twin triode designed for use as an oscillator mixer or amplifier in TV and FM receivers. A center-tapped heater permits operation of the tube from either a 6.3 volt or a 12.6 volt heater supply.

## GENERAL CHARACTERISTICS

### ELECTRICAL

Cathode	Coated, unipotential	
	<u>Series</u>	<u>Parallel</u>
Heater Voltage, AC or DC	12.6	6.3 volts
Heater Current <sup>2</sup>	0.15	0.3 amps
Direct Interelectrode Capacitances	<u>With Shield</u> <sup>3</sup>	<u>Without Shield</u>
Input (each section)	2.3	2.3 uuf
Output (section 1)	1.15	0.45 uuf
Output (section 2)	1.45	0.35 uuf
Grid to Plate (each section)	1.6	1.6 uuf
Heater to Cathode	2.5	2.5 uuf

### MECHANICAL

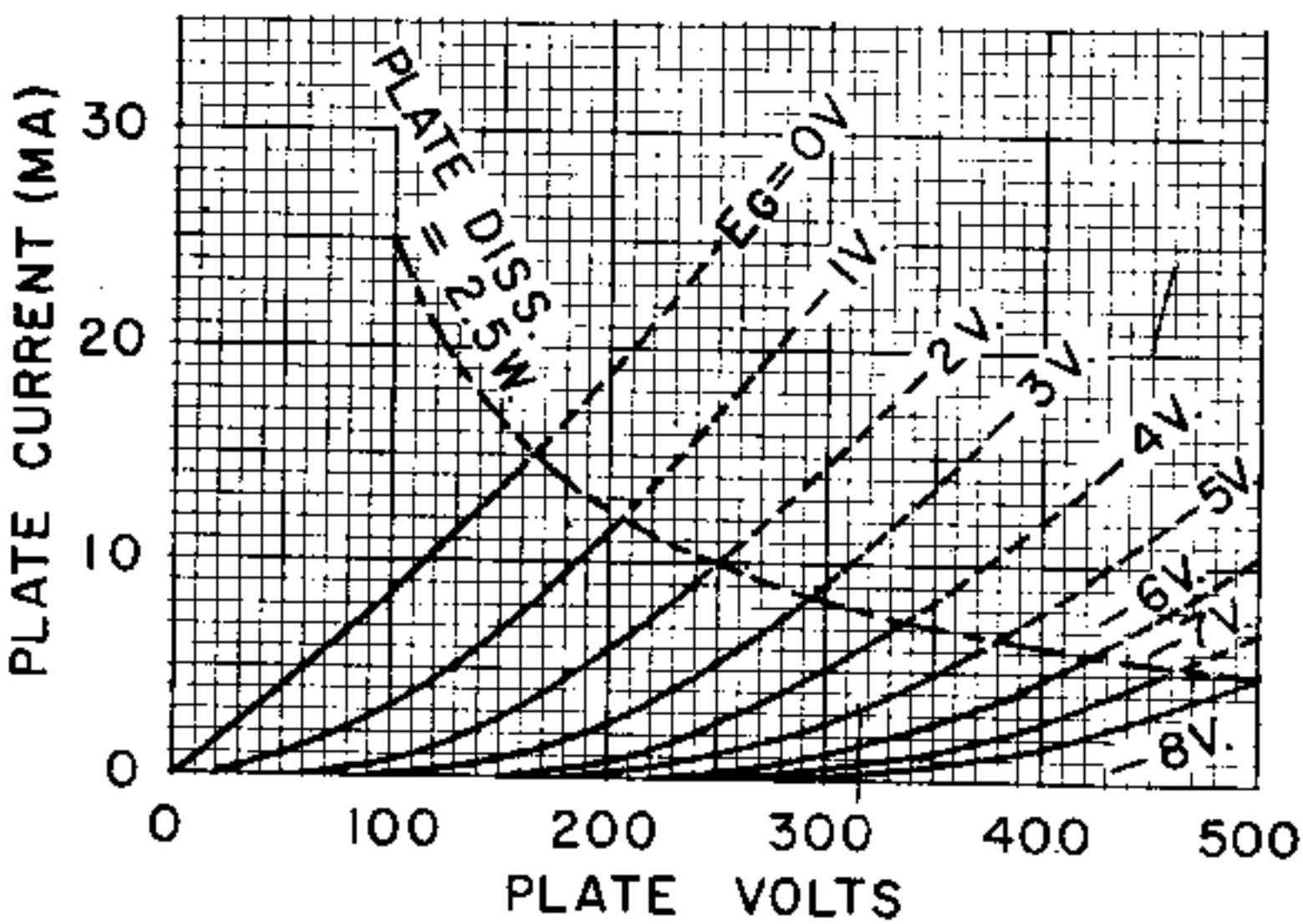
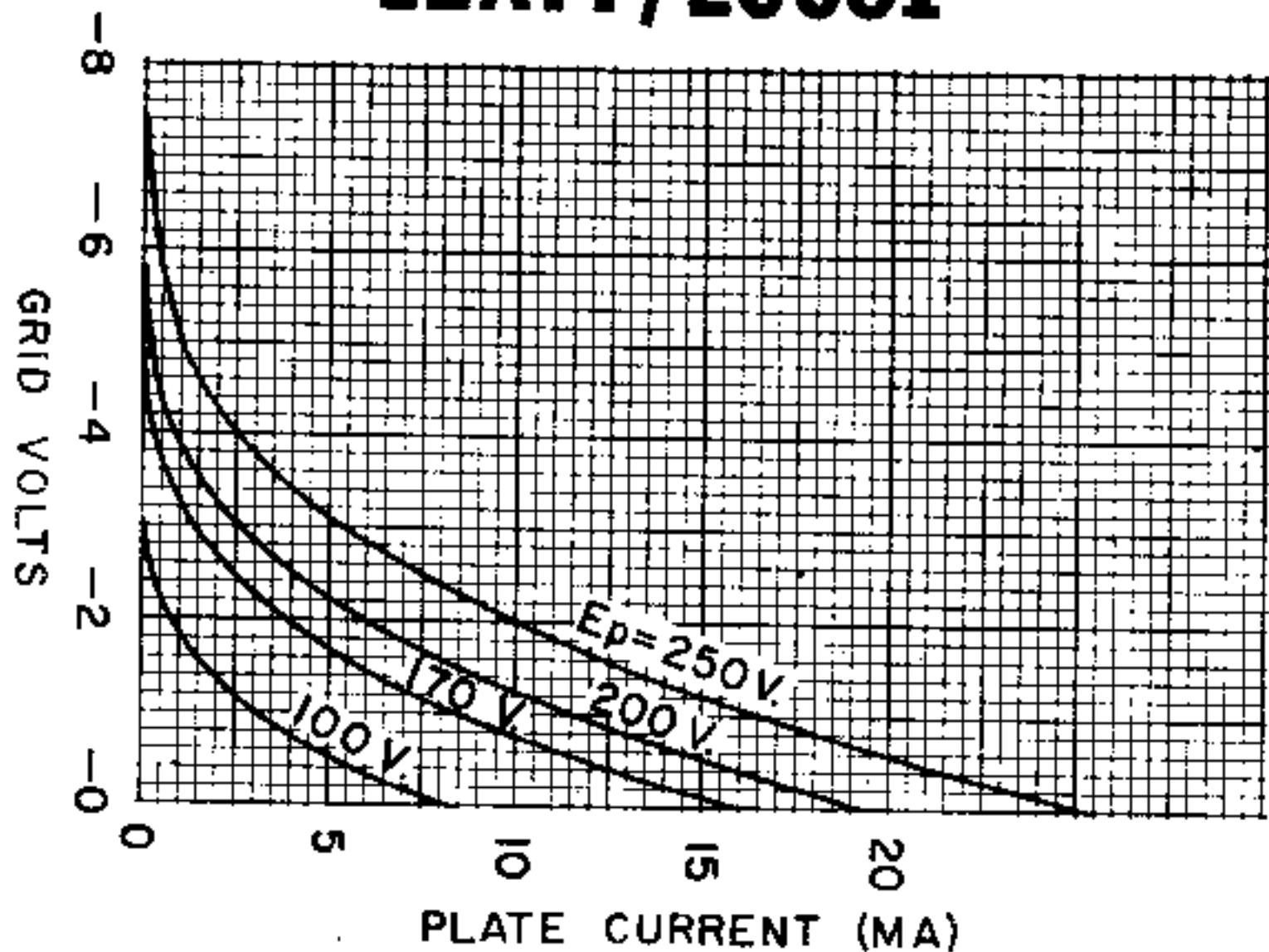
Maximum Overall Dimensions	
Length	2 3/16 inches
Seated Height	1 15/16 inches
Diameter	7/8 inch
Mounting Position	any
Base	Small button, 9 pin RETMA #9A

<sup>1</sup> The 12AT7/ECC81 is a direct, high-quality replacement for other brands of the 12AT7.

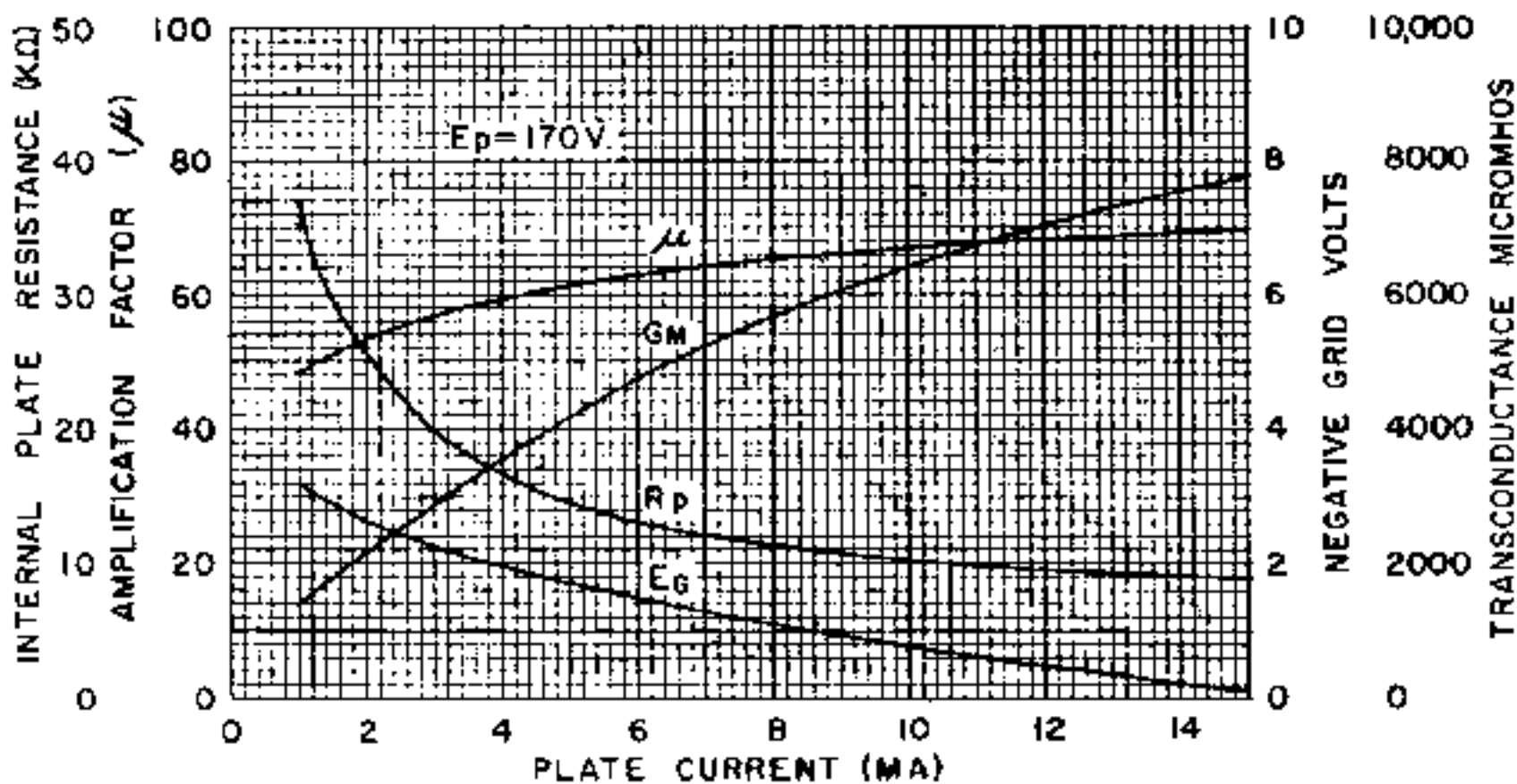
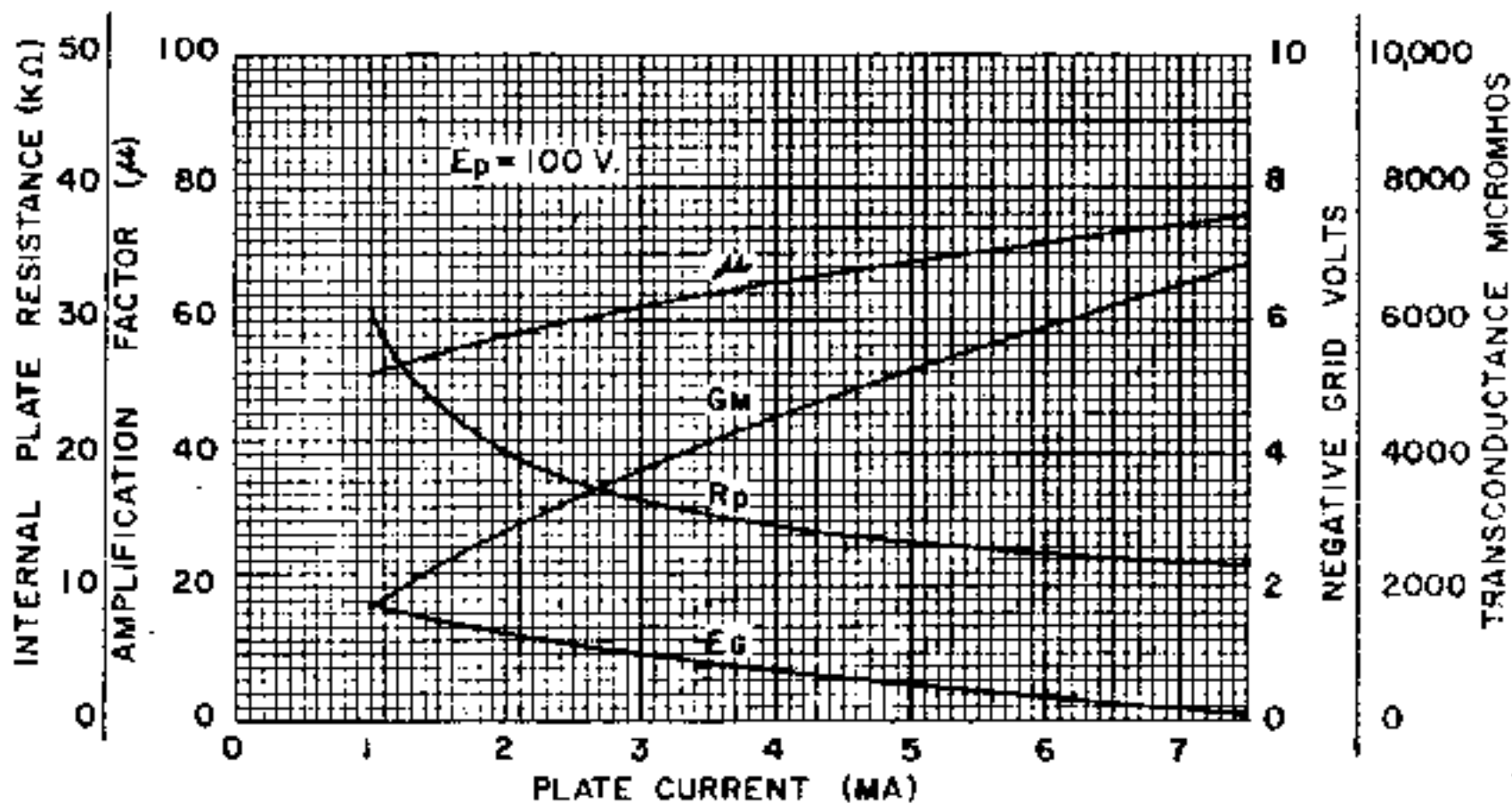
<sup>2</sup> When used in equipment which employs series-connected heaters, a current-limiting device must be inserted to limit the current when switching on.

<sup>3</sup> With external shield (RETMA #315) connected to cathode of section under test.

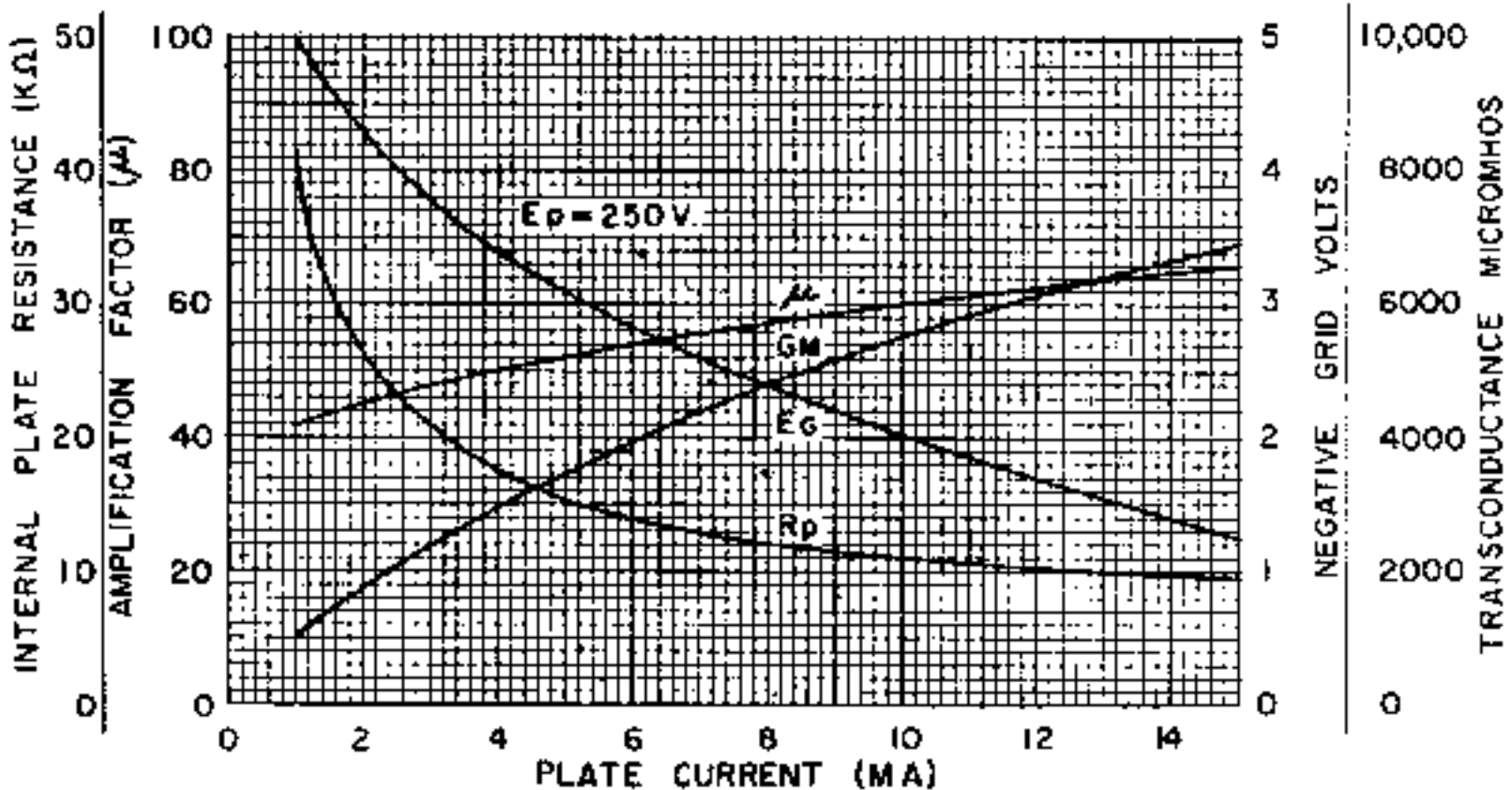
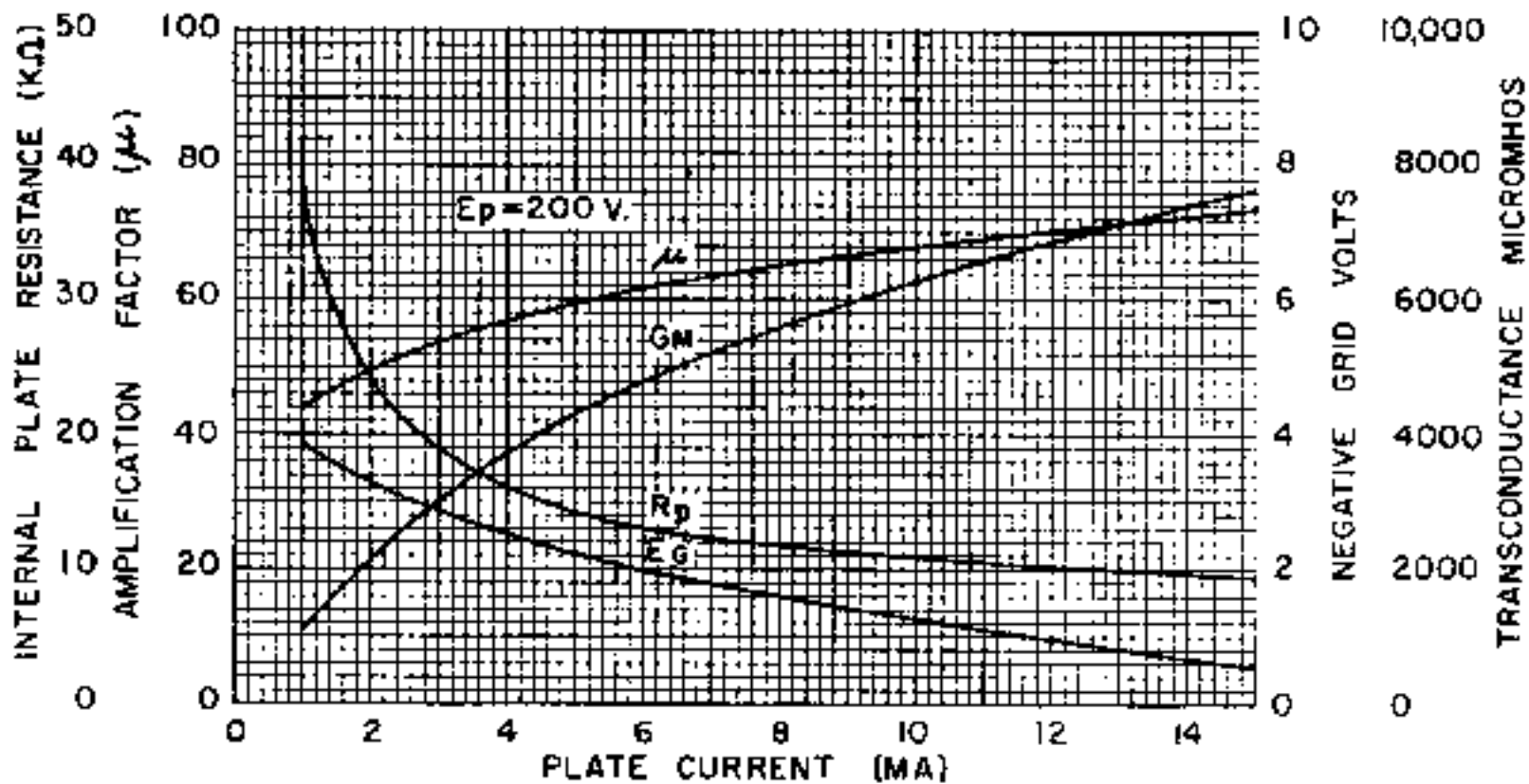
# 12AT7/ECC81

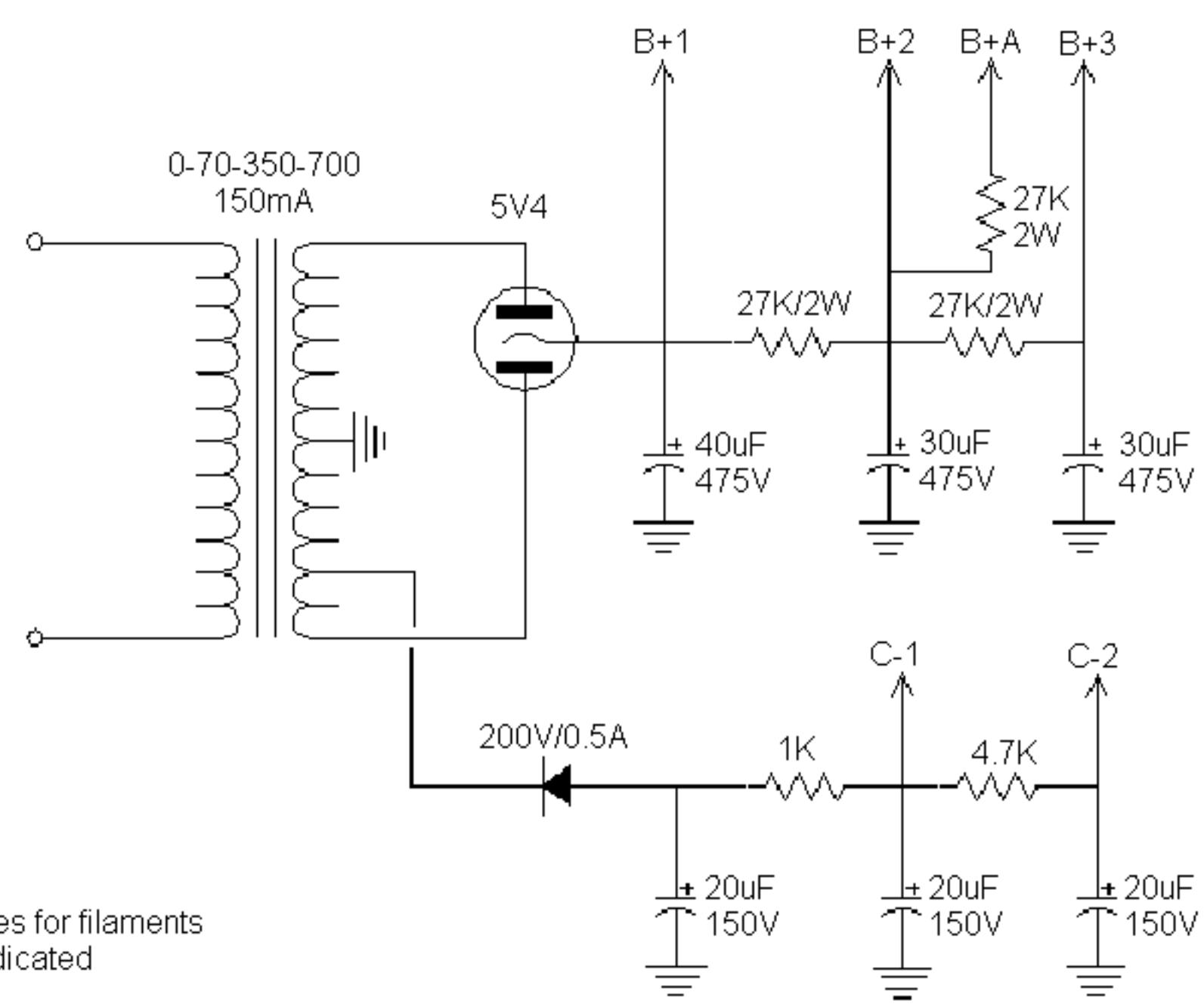
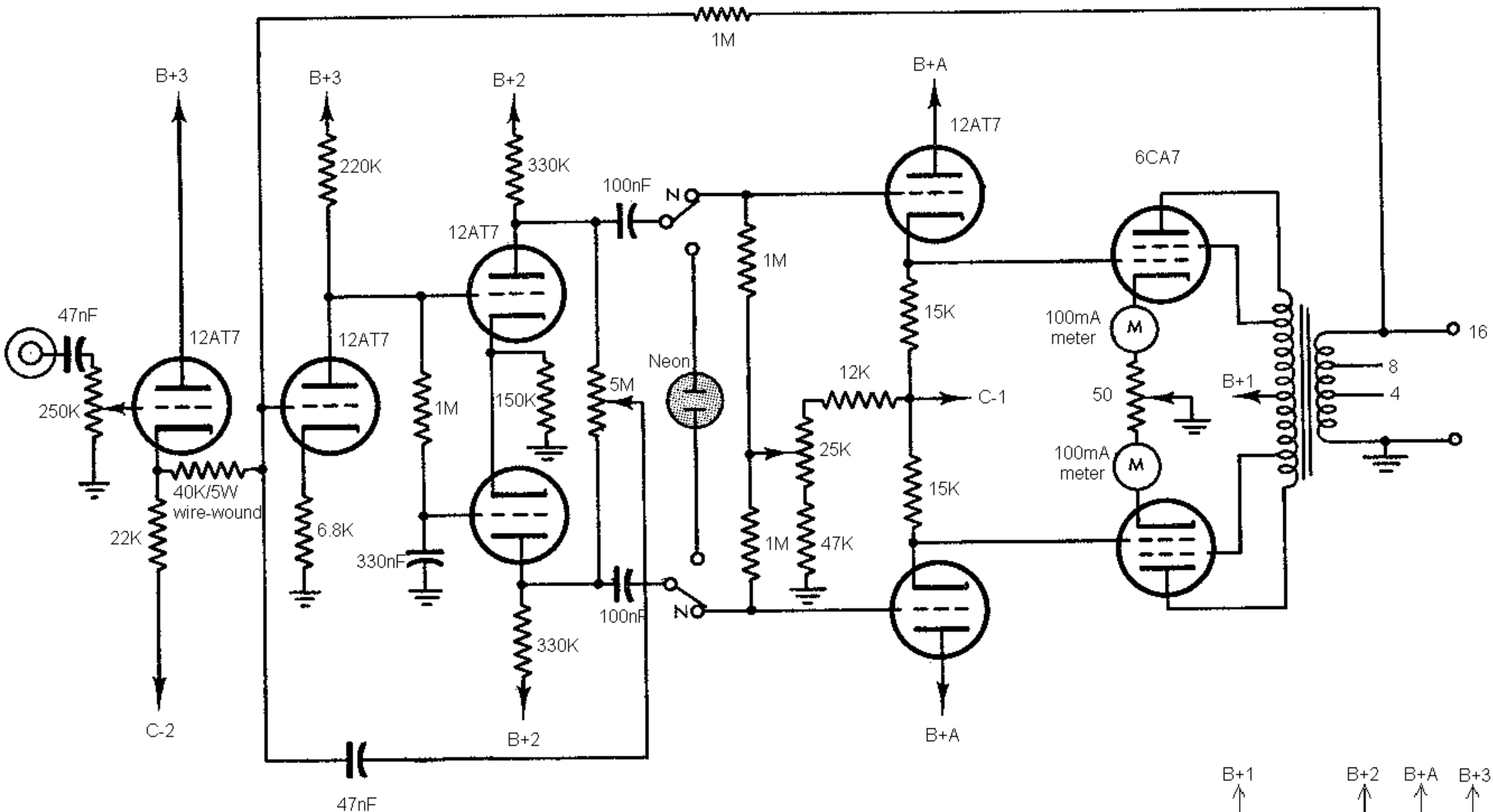


# 12AT7/ECC81



# 12AT7/ECC81





Power Supplies for filaments not indicated